

TSC

The Smarter Choice.

➤ www.tscprinters.com

MB240 Series Industrial Barcode Printer

Small Footprint, Big Impact



TSC: The Emerging Leader



- Over 25 years of experience dedicated to barcode printers, with 4 million installed in over 90 countries
- Full desktop, industrial, and mobile range, with complete firmware emulations
- Award-Winning, Top-5 global manufacturer of barcode printers



Deloitte.
Technology Fast500™
Asia Pacific 2010



TSC: Trusted by Leading Companies



MANUFACTURING

RETAIL

LOGISTICS

HEALTHCARE

POSTAL

GOVERNMENT

CATERPILLAR®



M&S
EST. 1884



Cleveland Clinic



SMG



Health.



Yale
NewHaven
Health
Yale New Haven



KERRY
TJ LOGISTICS
嘉里大衆物流



FOXCONN

■ GEBERIT



Why the MB240?



Small Footprint and Rugged Design



3.5" Intuitive Color Touch Display



Flexible and Advanced TPH Mechanism



Versatile Availability of Connectivity



One Step to Quick Setup/ Update

MB240 Series Profile



FRONT VIEW

MB240/ MB340 :

- 2 Operation Buttons
- 4 Intuitive Icon



Media viewer

Printer cover handle



Head Open



Label



Ribbon



RF Connection

MB240T/ MB340T:

- 6 Operation Buttons
- 3.5" HVGA Color Touch LCD

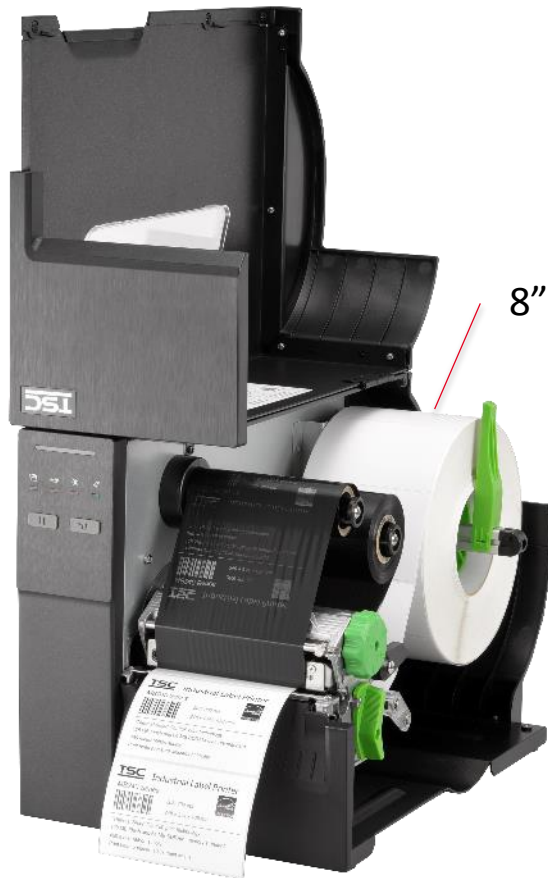


Paper exit chute

MB240 Series Profile



INTERIOR VIEW



8" O.D. label

Standard version



8" O.D. label

Liner retractor

Peel module

Peel-off kit option



MB240 Series Profile

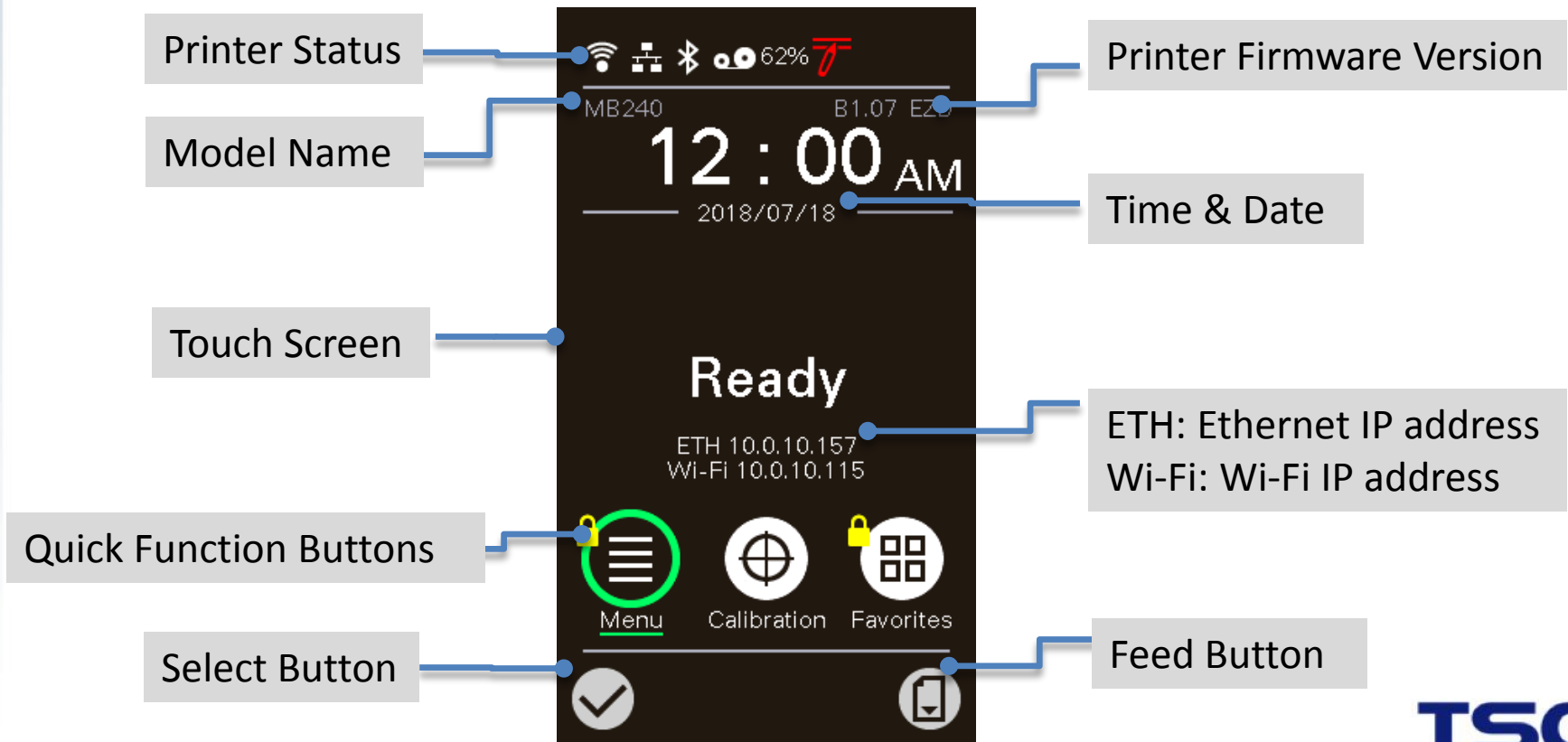
REAR VIEW



** (D): Dealer Option*

MB240 Series Profile – GUI

- User friendly GUI for efficient operation.

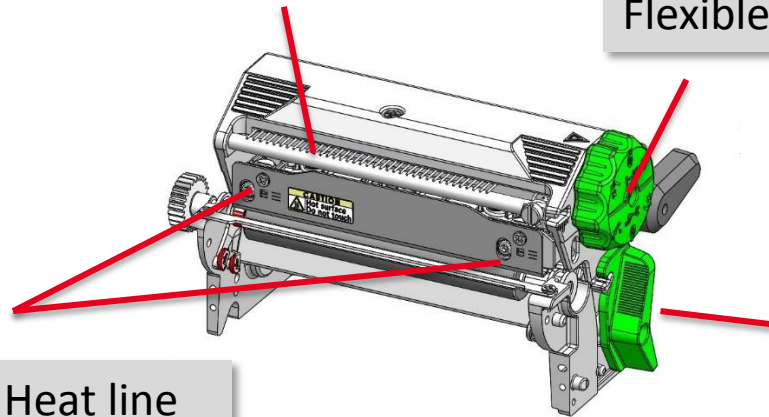


MB240 Series Profile – TPH Mechanism



Ribbon tension adjustment

Flexible TPH pressure adjustment

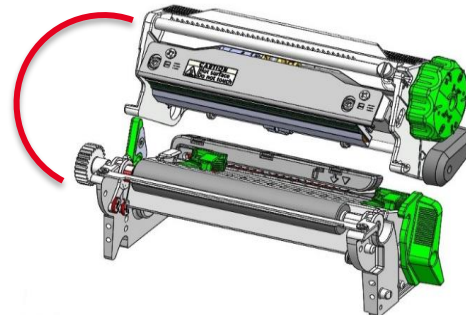


Reinforced TPH module hook (Metal)

Easy & Adjustable Heat line

Max. 50mm

Wide Open Angle for Media Handling



MB240 Series Profile – Setup / Update



**Scan to
Setup**



OR



**Clone to
Setup**

```
AUTO.BAS  
DISPLAY 15128749,16711680  
DISPLAY CLS  
DISPLAY 10,10, "1"," Clone Wi-Fi Setting..."  
WLAN DHCP  
WLAN SSID "Tscprinters"  
WLAN WPA "039520520"  
DELAY 1000  
DISPLAY 10,40, "1"," Finished!!"  
DISPLAY 10,70, "1"," Turn off & Unplug USB drive."
```



[More information please download here](#)

Key Specifications

- **Compact Industrial Barcode Printer**
- **Resolution:** 203 dpi/300 dpi
- **Print Technology:** DT/TT
- **Print Speed:** 8 ips/ 6 ips
- **Print Width:** 108 mm (4.25")/105.7 mm (4.16")
- **Ribbon Length:** 450 meter
- **Interface:**
 - **Standard** - Serial, Ethernet, USB 2.0, USB Host
 - **Options** – 802.11 a/b/g/n wireless (D), GPIO (D), Internal Bluetooth 4.2 (D)



** (D): Dealer Option*

MB240 Series Key Benefits



Small Footprint and Rugged Design

- Weight : 39% less, Size: 30% smaller than TTP-246M Pro



3.5" Intuitive Color Touch Display

- Ease of use 3.5" touch color GUI display and intuitive indicators



Flexible and Advanced TPH Mechanism

- Flexible TPH pressure adjustment & adjustable heat line
- Reinforced TPH module hook
- Wide open angle for media handling



Versatile Availability of Connectivity

- Standard USB, USB Host, Serial and Internal Ethernet
- Optional seamless 802.11a/b/g/n wireless slot-in module or internal steady Bluetooth 4.2 interface



One Step to Quick Setup/ Update

- Scan 1D/2D Barcode to setup or clone the configurations in one step

Summary

- **Best Performance & Durability in Compact Industrial Barcode Printer**
- **TSC MB240 Series Key Benefits**
 - Small Footprint and Rugged Design
 - 3.5" Intuitive Color Touch Display
 - Flexible and Advanced TPH Mechanism
 - Versatile Availability of Connectivity
 - One Step to Quick Setup/ Update

*COMPACT industrial printer meeting
any light industrial label printing needs.*



THANK YOU